

Agri Max



45.8



70.10

PERFORMANCE

| | 45.8 | 70.10 |
|---------------------------------|-------------|--------------|
| Maximum capacity (kg) | 4.500 | 7.000 |
| Maximum lifting height (m) | 7,90 | 9,65 |
| Maximum horizontal outreach (m) | 4,45 | 5,40 |
| Outreach at maximum height (m) | 0,30 | 0,70 |
| Fork swivelling angle | 134° | 134° |
| Pull-out force (daN) | 5.700 | 5.700 |
| Towing force (daN) | 7.300 | 7.300 |
| Maximum climb angle | 40% | 40% |
| Total weight empty (kg) | 8.800 | 11.400 |
| Max speed (km/h) | 30 | 30 |

(On request 40 Km/h)

BOOM**Times: empty / with speed supplement (in seconds)**

| | 45.8 | 70.10 |
|--------------------|-------------|--------------|
| Lifting | 15,5 / 11,3 | 20,7 / 15,1 |
| Descent | 10,6 / 7,7 | 13,6 / 9,9 |
| Extension | 8,1 / 5,9 | 14,2 / 10,4 |
| Retraction | 4,5 / 3,3 | 5,6 / 4,1 |
| Forward swivelling | 3,9 / 2,8 | 6,4 / 4,6 |
| Reverse swivelling | 2,4 / 1,8 | 2,8 / 2,0 |

Patented compensation system

ENGINE

| Iveco NEF 74 Kw | Iveco NEF 93 Kw |
|--------------------|--------------------|
|--------------------|--------------------|

| Model: | Iveco NEF | Iveco NEF |
|---|---------------------|-----------|
| Maximum power kW (hp): | 74 (101) | 93 (127) |
| Revolutions per minute (rpm): | 2200 | 2200 |
| Operation: | 4 stroke diesel | |
| Injection: | Direct mechanical | |
| Number and arrangement of cylinders: | 4, vertical in line | |
| Engine size (cm3): | 4485 | 4485 |
| Specific consumption at 2200 rpm (g/kWh): | 230 | 230 |

Aftercooler Turbo compressor

Liquid cooling system

HYDRAULIC PLANT (*= with additional device)

| | |
|--|----------|
| Gear pump with capacity at max. speed (lt/1'): | 110/150* |
| Max operational pressure (bar): | 230 |
| Distributor control with joystick: | 3 in 1 |

DIFFERENTIAL AXLES

| |
|--|
| Steering axles: 2, with planetary reduction gears |
| Steering types: 4 wheels / transversal / 2 wheels |
| Front axle: rigid (levelling upon request) |
| Back axle: oscillating |
| Oil bath service braking on the 4 wheels with double hydraulic plant and servo brake |
| Negative action parking brake |

REFUELLING (Litres)

| | 45.8 | 70.10 |
|-------------------------|-------------|--------------|
| Hydraulic plant (total) | 155 | 160 |
| Fuel tank | 105 | 105 |

OPTIONALS AND ACCESSORIES

A/C; Digital speedometer; Water Heater; Driver's seat with pneumatic suspension; Light on boom head; Quick coupling for accessories; Radio; Anti-theft system; Glass protection.

(For additional customizations, contact the area dealer)

TRANSMISSION

Hydrostatic transmission with variable displacement pump.
Hydrostatic engine with automatic variation.
Electrical - hydraulic inversion.
Inching pedal for controlled advancement.
Servocontrolled 2-speed gearbox.

DEVICES AS PER STANDARD

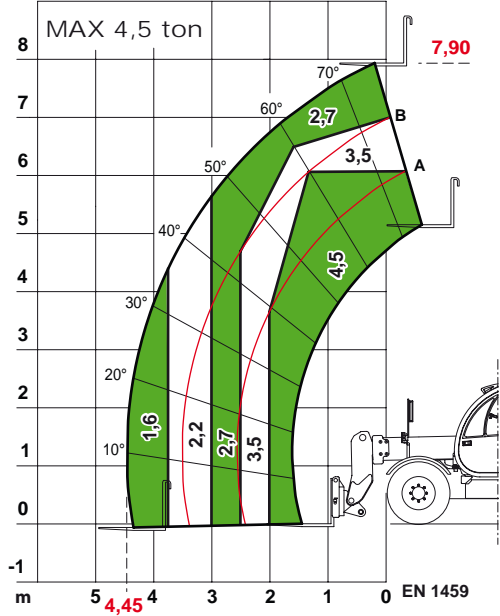
Anti-tipping device with peyorative movement block.
Hydraulic socket for any accessories on the boom head.
Soundproof closed cab, ROPS-FOPS approved, with heater.
Self-blocking front axle differential (limited slip 45%).
Electric window winder.

TYPE-APPROVAL

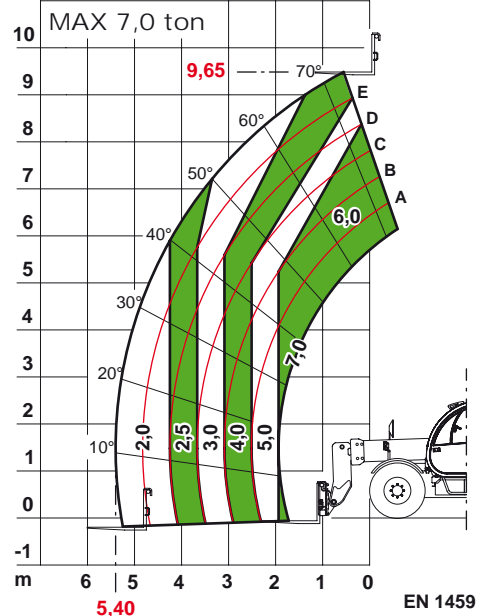
Type-approval as a driving agricultural machine.
Machine is not suitable for towing trailers on public roads and roads for public use.

TYRES

| | 45.8 | 70.10 |
|-------------|-------------|--------------|
| Tyres | 405/70x20" | 18/22.5" |
| Alternative | 405/70x24" | / |



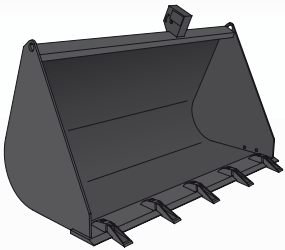
Agri Max 45.8



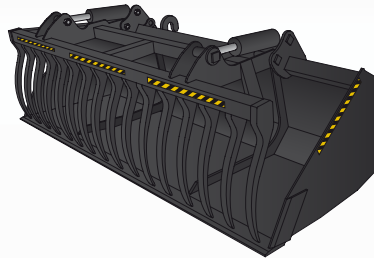
Agri Max 70.10

Accessories and Attachments specific for any need

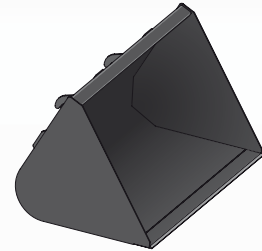
Bucket with teeth



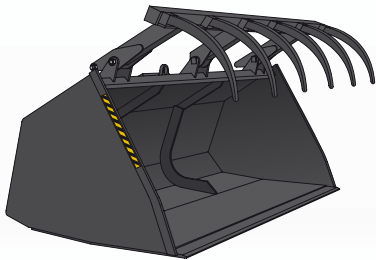
Bucket for silage



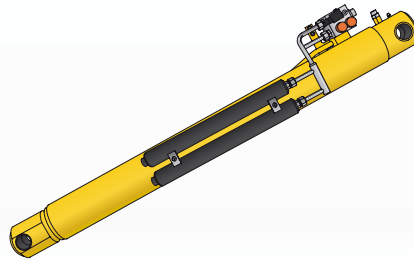
Bucket for light materials



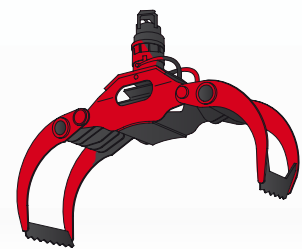
Bucket with holder



Boom suspension



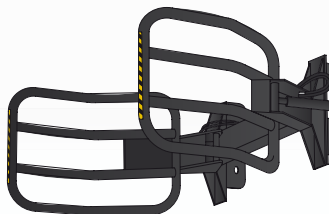
Clamp for logs



Fork with three jointed prongs



Clamp for big wrapped bales



Clamp for two roll bales



This is only a part of the many accessories and various equipment available for Dieci machines.
For information about the entire range of accessories **CONTACT US** using contact information contained on the rear of the document

DIMENSIONS

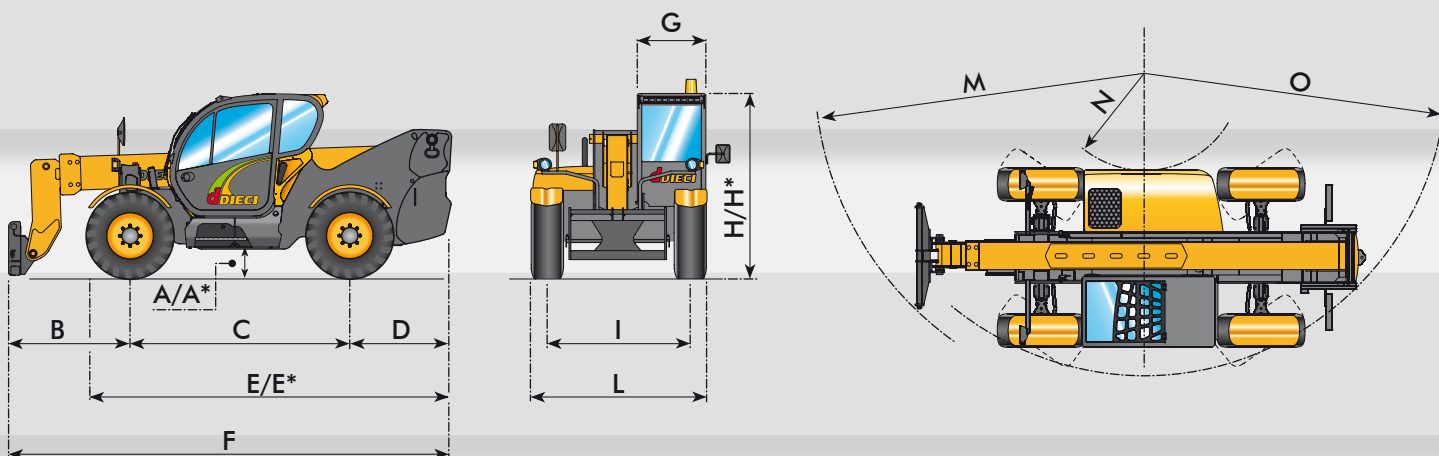
45.8

70.10

| | | |
|------|------------|------|
| A/A* | 440/480* | 440 |
| B | 1480 | 1630 |
| C | 2600 | 2950 |
| D | 860 | 1330 |
| E/E* | 4000/4050* | 4820 |
| F | 4940 | 5910 |
| G | 940 | 940 |
| H/H* | 2460/2500* | 2490 |
| I | 1910 | 1920 |
| L | 2310 | 2380 |
| M | 4080 | 4730 |
| N | 1260 | 1700 |
| O | 3920 | 4400 |

Measurements expressed in millimetres

A* - E* - H* = Measurements referring to optional wheels



A* - E* - H* = Measurements referring to optional wheels



d macchine edili ed agricole
DIECI

Via E. Majorana, 2-4 42027 Montecchio Emilia (RE) ITALY

Tel. +39 0522 869611 Fax +39 0522 869791 (comm. le Estero) Fax +39 0522 869604 (comm.le Italia)

www.dieci.com - E-mail: info@dieci.com